

PROPOSED POOL
EQUIPMENT LOCATION
(VERIFY)

AC CONDENSING UNIT FOR
POOL HOUSE

LINE OF PARTIAL
BASEMENT

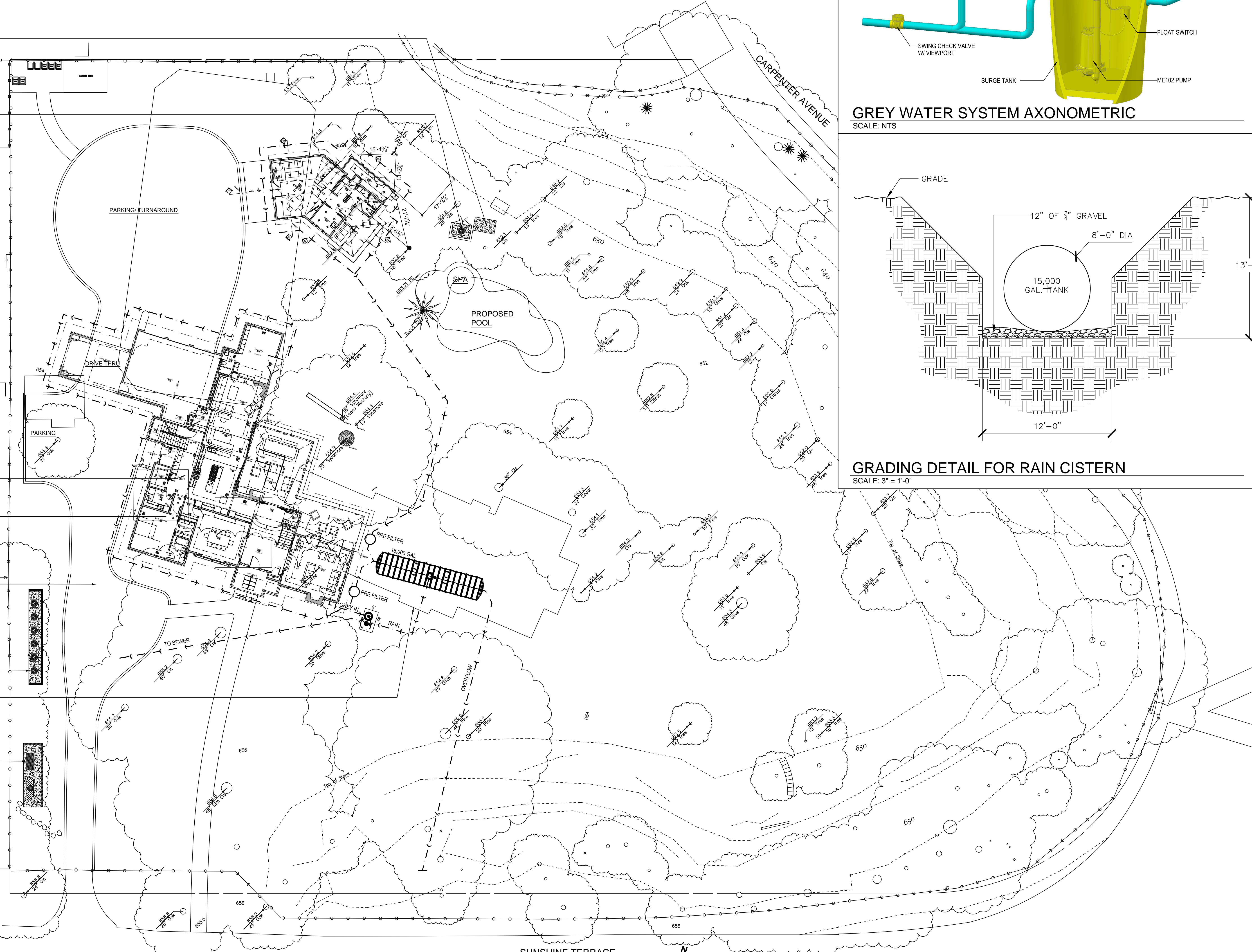
PROPOSED 2-STORY WITH
PARTIAL BASEMENT
SINGLE FAMILY DWELLING

NEW DRIVEWAY

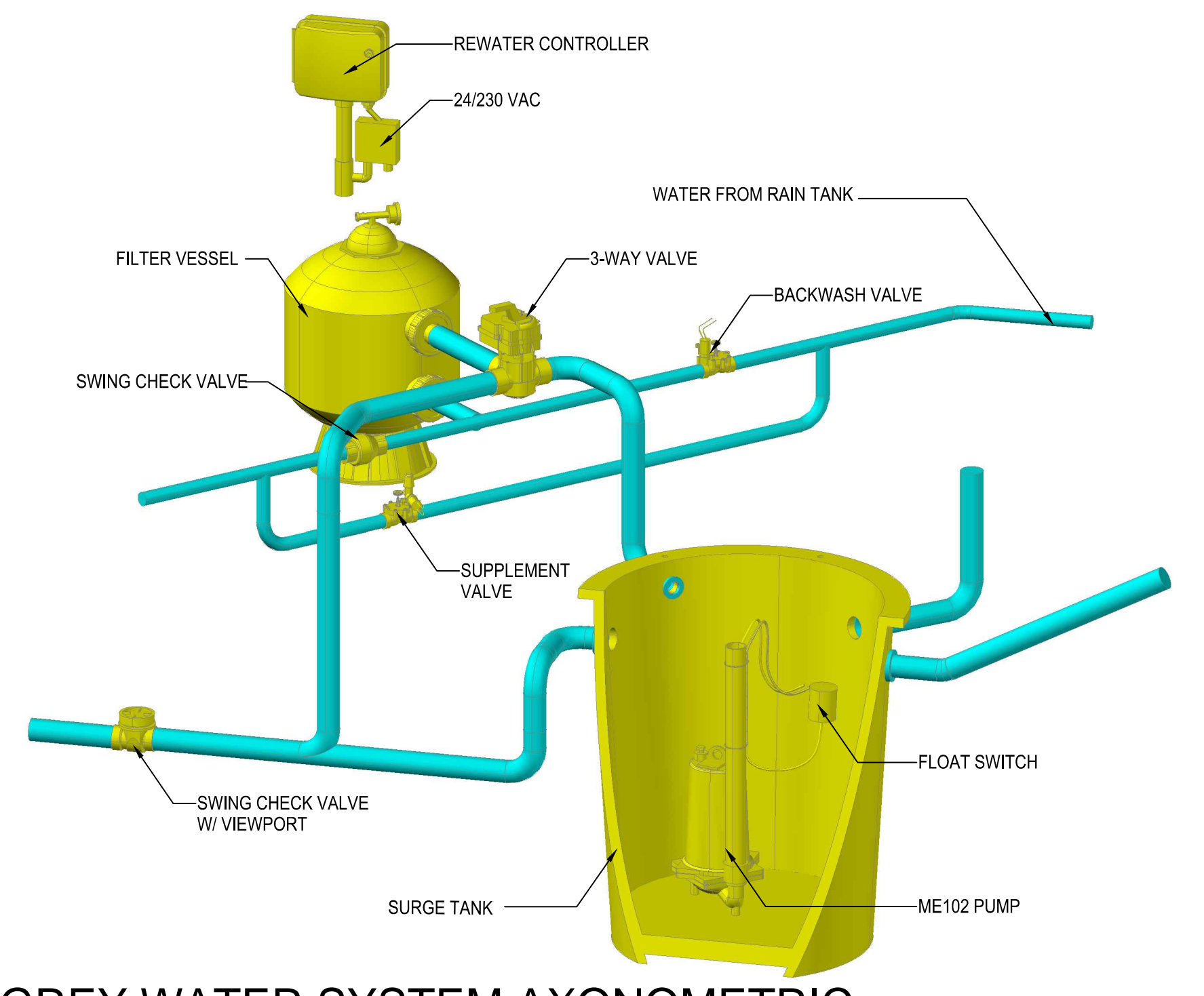
AC CONDENSING UNITS
FOR MAIN HOUSE

LINE OF EXISTING TO BE
DEMOLISHED-TYPICAL

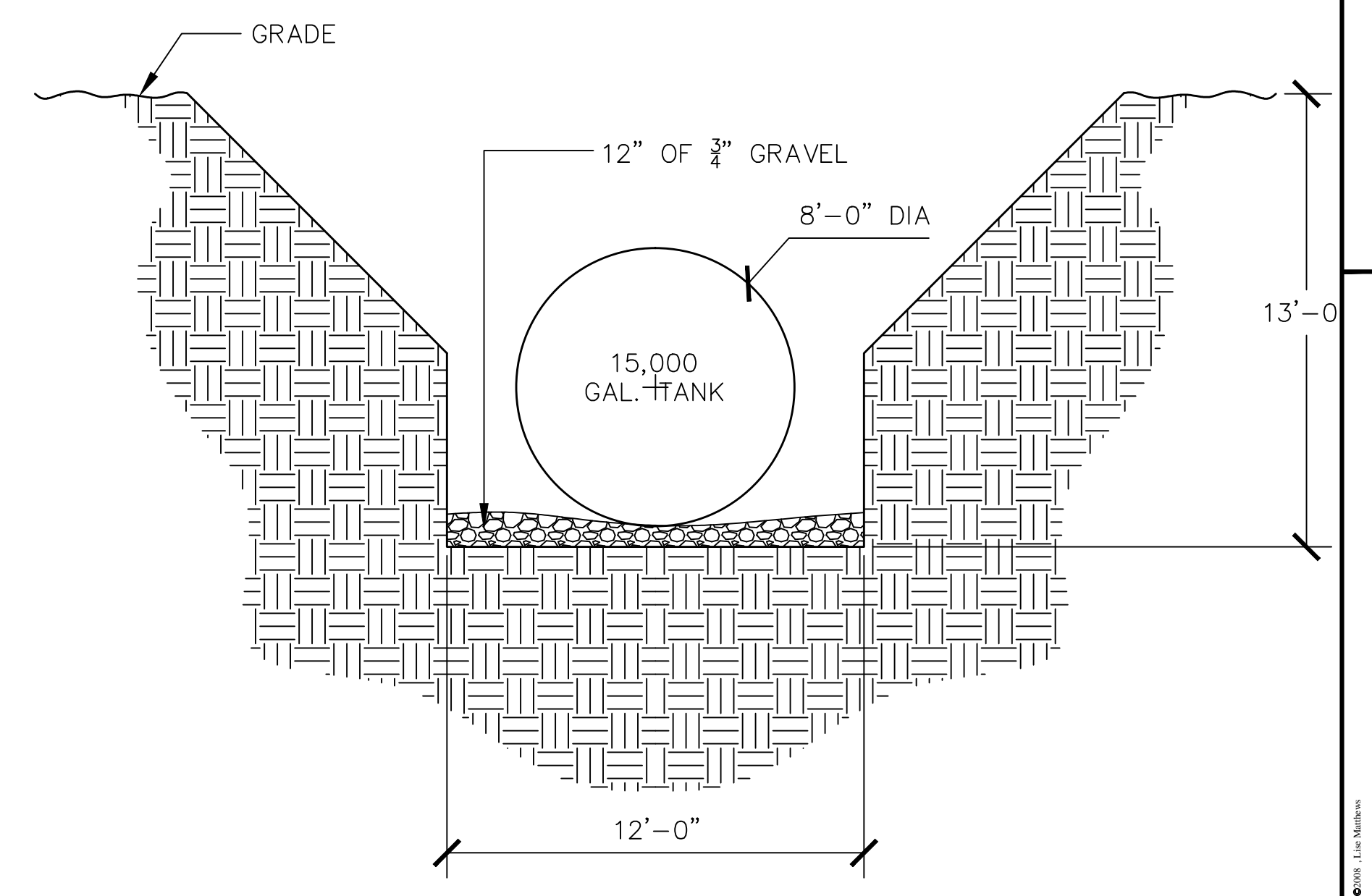
EMERGENCY GENERATOR
15 KW MIN



GRADING PLAN
SCALE: 1/16" = 1'-0"



GREY WATER SYSTEM AXONOMETRIC
SCALE: NTS



GRADING DETAIL FOR RAIN CISTERN
SCALE: 3" = 1'-0"